
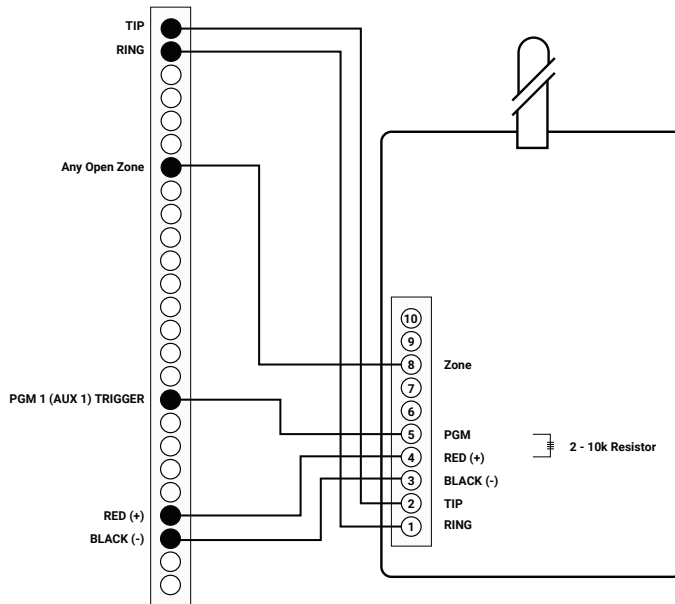


Quick Start Guide

CAT-CDMA

-  You must be a registered dealer with Alula in order to begin registering devices at www.alarmdealer.com with the MAC ID listed on the product packaging. If you are not a registered dealer with Alula, please visit www.Alula.net/newdealer to register now, or call 1.888.88.Alula.
- Attach your new Alula device using the wiring diagram shown below.

KEYSWITCH



NOTES: IPD-CAT

- GE Caddx (Nx4/6/8v2) - A 1.1k Resistor from the open zone to common on the alarm panel. A 3.3k Resistor from terminals 4 and 5 on the CAT unit.
- DSC PowerSeries - A 5.6k Resistor from terminals 4 and 5 on the CAT unit.
- Honeywell - A 2k Resistor from terminals 4 and 5 on the CAT unit.

3. Need More Help?

For full product manuals, installation guides, and other resources visit us at www.Alula.net/quickstart or call 1.888.88.Alula.

Limited Warranty Information

LIMITED WARRANTY

Alula Holdings, LLC. ("Seller") warrants that the "Product" will materially conform with its specifications and will be free from defects in materials and workmanship under normal use and service for a period of twelve (12) months from the date of original purchase. Seller's sole obligation shall be limited to repairing or replacing, at its option, free of charge for materials or labor, any product which is proved not to be within Seller's specifications of the Product, or proves defective in materials or workmanship under normal use and service. At no point should the Product be removed and/or mounted without the plastic enclosure, and any non-compliance shall be deemed an alteration and void the this limited warranty. EXCEPT AS EXPRESSLY SET FORTH HEREIN, SELLER EXPLICITLY DISCLAIMS ALL WARRANTIES, EXPRESS OR IMPLIED, INCLUDING THE WARRANTIES OF NON-INFRINGEMENT, MERCHANTABILITY AND OF FITNESS FOR A PARTICULAR PURPOSE. SELLER EXPRESSLY DOES NOT WARRANT THAT THE PRODUCT, IN WHOLE OR IN PART, WILL BE ERROR FREE, WILL OPERATE WITHOUT INTERRUPTION, WILL BE COMPATIBLE WITH ANY THIRD PARTY HARDWARE OR SYSTEMS SOFTWARE CONFIGURATION, OR WILL MEET THE END USER'S SUBJECTIVE REQUIREMENTS. SELLER DOES NOT REPRESENT THAT THE PRODUCT MAY NOT BE COMPROMISED OR CIRCUMVENTED, OR THAT THE PRODUCT WILL PREVENT ANY PERSONAL INJURY OR PROPERTY LOSS BY BURGLARY, ROBBERY, OR OTHERWISE, OR THAT THE PRODUCT IN ALL CASES WILL PROVIDE ADEQUATE WARNING OR DETECTION. This limited warranty is the complete representation of Seller with respect to its obligations and remedies and may not be modified except by Seller in a signed writing.

LIMITED LIABILITY

In no case shall Seller be liable to person or entity for any consequential, indirect, speculative, punitive, special or incidental damages whatsoever, regardless of the basis of the claim (including product liability) and whether or not such loss or damage is caused by Seller's own negligence or fault. Seller maximum liability shall not in any case exceed the purchase price of the Product, which shall be the complete and exclusive remedy against Seller.

FCC and Industry Canada Regulatory Compliance

FCC Warning / IC Statement

This device complies with Part 15 of the FCC Rules and with ICES-003, Issue 4 of Industry Canada. Operation is subject to the following two conditions:

- (1) This device may not cause harmful interference, and
- (2) This device must accept any interference received, including interference that may cause undesired operation.

Note:

This equipment has been tested and found to comply with the limits for a Class B digital device, pursuant to Part 15 of the FCC Rules. These limits are designed to provide reasonable protection against harmful interference in a residential installation. This equipment generates, uses and can radiate radio frequency energy and, if not installed and used in accordance with the instructions, may cause harmful interference to radio communications. However, there is no guarantee that interference will not occur in a particular installation. If this equipment does cause harmful interference to radio or television reception, which can be determined by turning the equipment off and on, the user is encouraged to try to correct the interference by one or more of the following measures:

- Reorient or relocate the receiving antenna.
- Increase the separation between the equipment and receiver.
- Connect the equipment into an outlet on a circuit different from that to which the receiver is connected.
- Consult the dealer or an experienced radio/TV technician for help.

Canada Avertissement de la FCC / IC Déclaration

Cet appareil est conforme à la Partie 15 des règlements de la FCC et ICES-003, 4 e édition d'Industrie Canada. Son fonctionnement est soumis aux deux conditions suivantes:

- (1) Cet appareil ne doit pas causer d'interférences nuisibles et
- (2) Cet appareil doit accepter toute interférence reçue, y compris les interférences qui peuvent perturber le fonctionnement.

Note:

Cet équipement a été testé et trouvé conforme aux limites pour un dispositif numérique de classe B, conformément à la Partie 15 des règlements de la FCC. Ces limites sont conçues pour fournir une protection raisonnable contre les interférences nuisibles dans une installation résidentielle. Cet équipement génère, utilise et peut émettre des fréquences radio et, s'il n'est pas installé et utilise en conformité avec les instructions, peut causer des interférences nuisibles aux communications radio. Cependant, il n'existe aucune garantie que des interférences ne se produiront pas dans une installation particulière. Si cet équipement provoque des interférences nuisibles à la réception radio ou de télévision, qui peut être déterminé en mettant l'équipement hors tension, l'utilisateur est encouragé à essayer de corriger l'interférence par un ou plusieurs des mesures suivantes:

- Réorienter ou déplacer l'antenne de réception.
- Augmenter la distance entre l'équipement et le récepteur.
- Branchez l'appareil dans une prise sur un circuit différent de celui auquel le récepteur est connecté.
- Consulter le revendeur ou un technicien radio / TV