

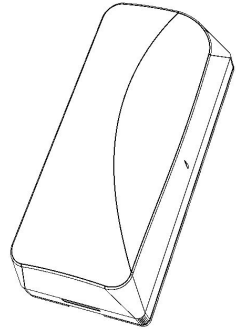
alula™ RE606 Tilt Sensor Connect+™ Encrypted



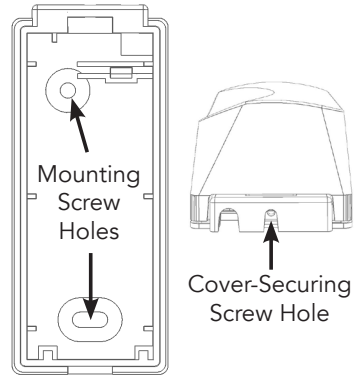
RE606 Tilt Sensor is a full-featured security transmitter typically used to sense the tilt of overhead garage doors and windows. It will alarm when the sensor is tilted more than 45 degrees.

Features

- Industry-leading wireless range and battery life
- Secure encrypted wireless transmissions
- 5-year warranty

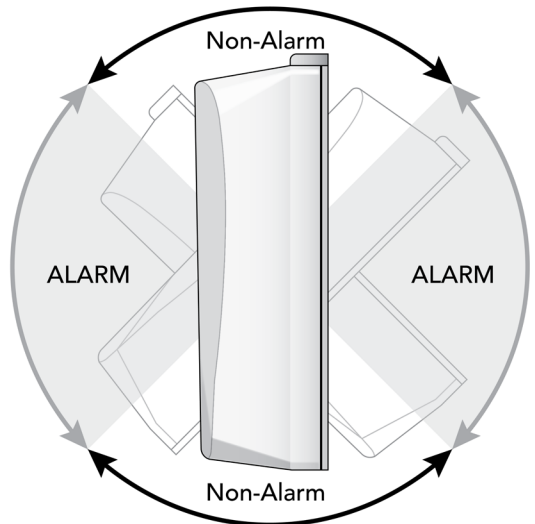


Enroll by placing the panel into wireless enrollment mode and then removing the cover to send an enrollment signal from the sensor. Alternatively, the sensor can be enrolled by scanning its bar code using the Connect+ Installer App or by entering its 8-character serial number on the interactive service provider's web portal.



Install by mounting the sensor to the inside of a door or window using the mounting screw locations. For garage door installations, the sensor should be mounted to the top panel of the overhead door. CE installations must use a cover-securing screw.

Tilt Detection occurs when the sensor exceeds a 45 degree angle. If the sensor rotates further than 135 degrees, it is likely to remain in a non-alarm state. For best results, the sensor should rotate within 90 degrees to ensure an alarm state occurs.



Use the panel installation guide to verify proper system setup.

Pro Tips

3M VHB Tape works great for mounting if the surface is properly prepared and firm pressure is applied for over 10 seconds.

Surface Preparation

- Clean the surface
- Ensure the mounting surface temperature is above 50 °F

Specifications

Physical	
Housing Dimensions	3.25 x 1.40 x 1.05 inches (8.3 x 3.6 x 2.7 cm)
Weight with Battery	1.90 ounces (54 grams)
Mounting Fastener	#4 or #6 screws (not provided)
Environmental	
Operating Temperature	32 to 120 °F (0 to 49 °C)
Maximum Humidity	85% non-condensing relative humidity
Sensor Specifications	
Frequency	433.92 MHz
Replacement Battery	One Panasonic CR123A
Nominal Battery Life	10 to 15 years
Battery Voltage	3.0 VDC (Nominal), 2.2 VDC (Low)
Current Draw	20 mA (Maximum), 0.6 uA (Quiescent)
Transmitted Indications	Cover Tamper, Low Battery, Supervision
Certification	
RE606	FCC, IC
RE606-CE	EN50131-2-6, EN 60950-1, EN 300 220, EN 301 489, CE Security Grade 1, CE Environmental Class 2, RCM

Specifications subject to change without notice.

WARRANTY

Alula will replace products that are defective in their first five (5) years.

TRADEMARKS

Alula and Connect+ are trademarks owned by Alula Holdings, LLC.

IC NOTICE

This device complies with Industry Canada license-exempt RSS standard(s). Operation is subject to the following two conditions:

- (1) This device may not cause interference, and
- (2) This device must accept any interference, including interference that may cause undesired operation of the device.

Le présent appareil est conforme aux cnr d'Industrie Canada applicables aux appareils radio exempts de licence. L'exploitation est autorisée aux deux conditions suivantes:

- (1) L'appareil ne doit pas produire de brouillage, et
- (2) L'utilisateur de l'appareil doit accepter tout brouillage radioélectrique subi, même si le brouillage est susceptible d'en compromettre le fonctionnement.

IC: 8310A-RE606

FCC NOTICE

This device complies with Part 15 of the FCC rules. Operation is subject to the following two conditions:

- (1) This device may not cause harmful interference.
- (2) This device must accept any interference that may be received, including interference that may cause undesired operation.

Changes or modifications not expressly approved by Alula could void the user's authority to operate this equipment.

FCC ID: U5X-RE606-CE

CE DECLARATION OF CONFORMITY

Hereby, Alula declares that this RE606-CE is in compliance with the essential requirements and other relevant provisions of directive 1999/5/EC.

(This declaration can be translated to other languages via a myriad of translation tools found on the Internet.)